



673E | Crawler

SENEBOGEN



# 70 t TELESCOPIC CRAWLER CRANE



186 kW



70 t



36 + 15 m



MAX CAB

Stage V

# 673E

## The unique machine.

The 70 t telescopic crawler crane is a unique machine class – compact enough for downtown construction sites but with sufficient load reserves for heavy work.

The 673 E is ideal for flexible use on the construction site: lifting loads, turning, swinging, moving and precisely setting them down, and all on an incline. This is possible thanks to features such as the continuously telescoping Full Power Boom, variable ballasting thanks to counterweight components and the heavy-duty crawler chassis. Folding railings, telescopic undercarriage and ballast storage system ensure easy transport and shorter set-up times.

### More variety

Always work optimally with loading hook, auxiliary jib, 8 m fly jib or fly jib extension to 15 m. Boom lengths of more than 51 m are possible with the fly jib.

### More flexibility

The Full-Power Boom telescopes comfortably under load at any length and safely via the joystick. The telescopic crawler undercarriage easily adapts to even the tightest of spaces.

### Maintenance & service

This is made easy with standard components and easy-to-access maintenance and service points.

### Ultimate ease of use

With the 20° tiltable comfort Maxcab as standard, the back-friendly comfort seat, the adjustable armrests and the optimally arranged, resonant control elements.

### On site and ready to use fast

Easy transport including crawler tracks. Short set-up time thanks to self-assembly system – no auxiliary crane required.

The photo shows the 673 E in prefabricated concrete component assembly, Germany.

# Advanced. The E Series

## LONG SERVICE LIFE, HIGH VALUE RETENTION

- Reliable and powerful thanks to its robust construction and high-quality components
- High resale value, even after many years of use

## SOPHISTICATED, STATE-OF-THE-ART TECHNOLOGY

- In the 5th Generation – decades of experience in designing and constructing telescopic cranes

## SIMPLE TO MAINTAIN AND SERVICE

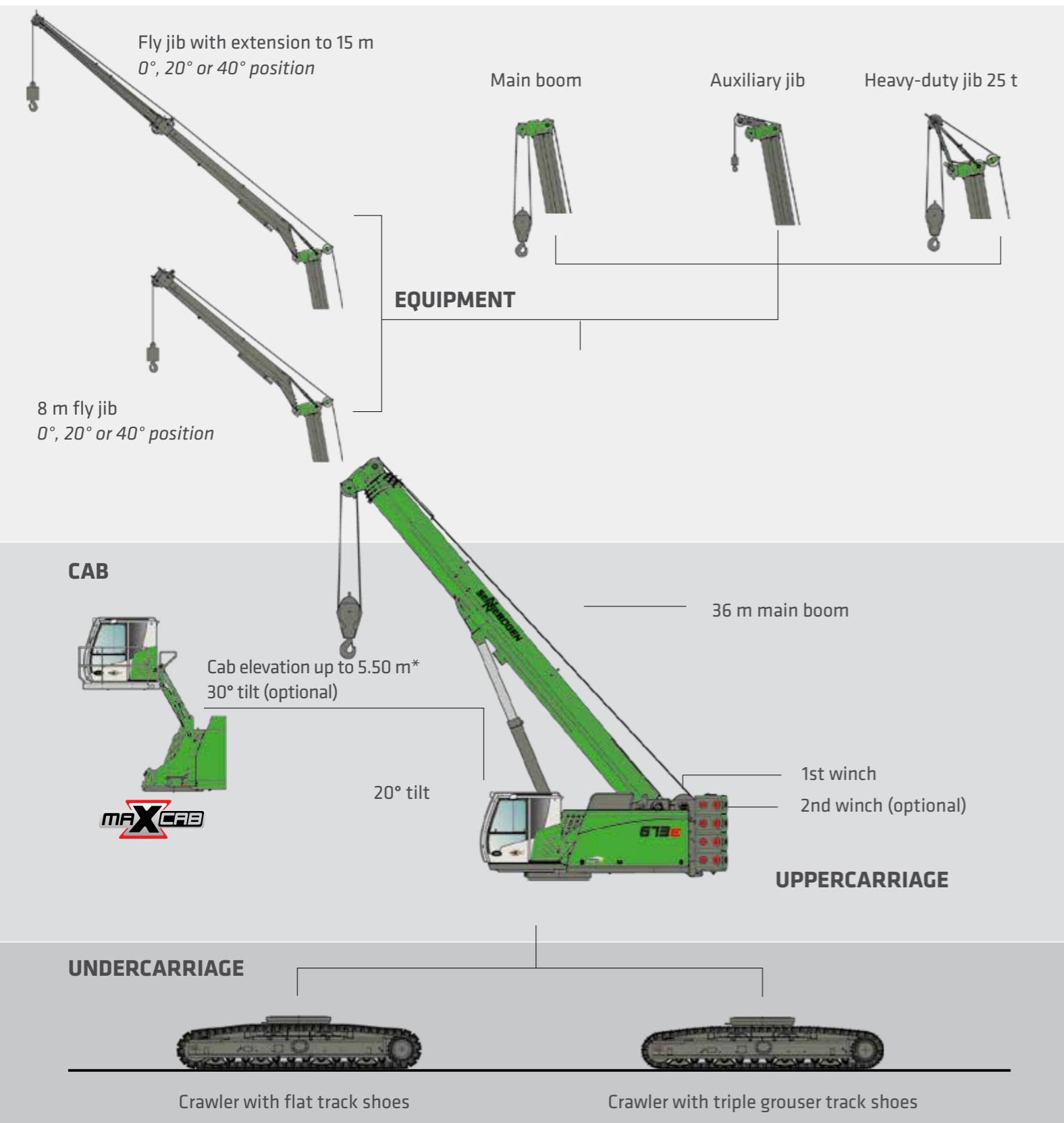
- Technology that can be mastered and no over-engineering, easy access to all components

## ENVIRONMENTALLY- FRIENDLY DRIVE TECHNOLOGY

- State-of-the-art engine, drive and emission systems in line with the latest technology standards (stage V)
- Large-scale pipes and valves for maximum efficiency



# A MODULAR DESIGN. OPTIMUM EQUIPMENT OPTIONS.

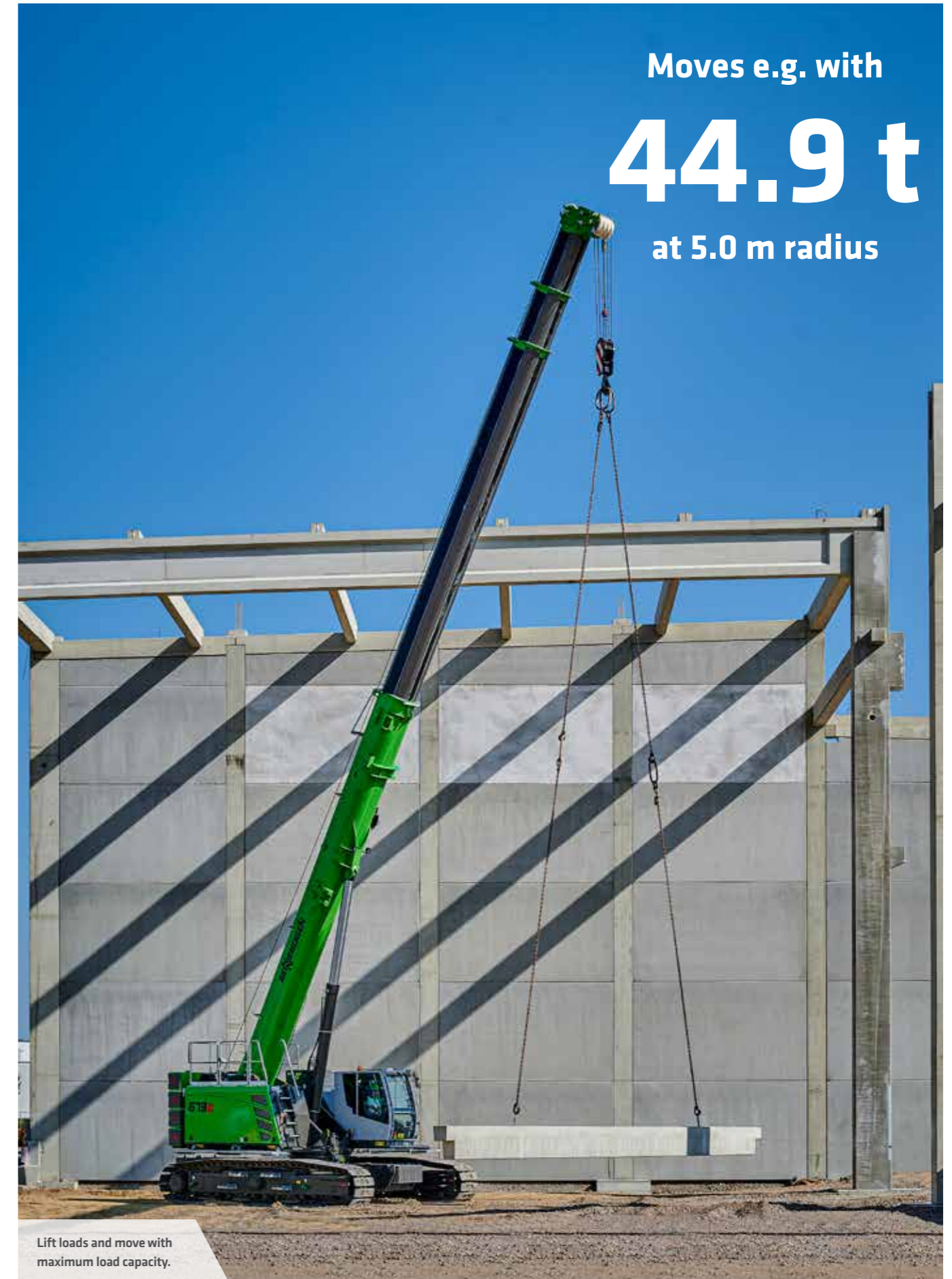




Pick & Carry  
with up to  
**100%**  
load

**COMPACT AND  
STRONG.  
WITH MAXIMUM  
FLEXIBILITY.**

- High stability and optimum maneuverability even on narrow construction sites thanks to telescopic crawler undercarriage
- Optimal overview when lifting loads thanks to cab with 20° tilt as standard
- Coverage of a large work area and flexibility thanks to a wide range of equipment options
- Operation by radio remote control available



Moves e.g. with  
**44.9 t**  
at 5.0 m radius

Lift loads and move with  
maximum load capacity.

BETTER VIEW.  
BETTER SAFETY.  
MAXIMUM COMFORT.



THE BEST  
IN ITS CLASS.

- Excellent all-round and upward view thanks to large window panes, optionally with FOPS guard and/or bullet proof glass
- Safe and comfortable access due to the tried-and-tested sliding doors incl. sliding window
- Work without fatigue thanks to the back-friendly comfort seat, adjustable armrests and ergonomic, resonant controls
- Automatic heating/air conditioning with optimum air flow for a pleasant indoor climate all year round
- Noise reduced through sound-absorbing materials and design solutions
- Option for cab to hydraulically elevate up to an eye level of 5.50 m and tilt by up to 30°
- Radio with Bluetooth®



TAKE FULL CONTROL WITH OUR JOYSTICKS

- Joysticks on resonant, seat-mounted consoles
- Comfortable grip thanks to ergonomic design
- Shortcuts for direct and sensitive control of all functions
- Easy to use thanks to the optimized design of buttons and switches



# EASY TO TRANSPORT. READY FOR USE QUICKLY.

It is not just with procurement and operating costs that companies can make cost-effective decisions and savings. Astute contractors know that simple and economical transportation between construction sites is an important factor, too.



### Cost-efficient

With a transport width of just 3.0 m, the 673 E fits easily on any standard low-loader.



### Easy

The machine can be transported along with its crawler tracks. For even easier transport.



### Quick

The machine is ready for use on site in a short time thanks to the innovative self-assembly system.

# MAINTENANCE AND SERVICE. MAKE IT EASY ON YOURSELF.



The SENCON control system supports you with diagnostics and makes troubleshooting easier. So your machine is back in action more quickly.

All maintenance and service points are clearly arranged and easily accessible. The clear labeling of components makes finding your way around easy.

# KEEP IT SIMPLE. WITH TECHNOLOGY THAT CAN BE MASTERED.



Reliable and practical technology makes life easier. Where electronics add no value, we rely on hydraulics and electrical systems.



We make you happy, not reliant. With cost-effective components and fewer process steps, you can take care of the machine on your own.



At the central electrical distribution board, clearly arranged standard components simplify control and troubleshooting.

# TECHNICAL DATA, EQUIPMENT

## MACHINE TYPE

MODEL (TYPE) 673 Crawler

## ENGINE

TYPE	<p><b>Stage V:</b> Cummins B6.7 FR95885 Rated power: 168 kW/2200 rpm Operating point standard: 186 kW/2000 rpm Operating point ECO: 188 kW/1850 rpm</p> <p><b>Stage IIIa:</b> Cummins QSB6.7 FR96045 Rated power: 164 kW/2200 rpm Operating point standard: 164 kW/2000 rpm Operating point ECO: 170 kW/1850 rpm</p> <p>Both: direct injection, turbocharged, charge air cooling, reduced emissions</p>
COOLING	Water-cooled
DIESEL FILTER	With water separator and heater
AIR FILTER	Dry filter with integrated pre-separator, automatic dust discharge, main element and safety element, contamination indicator
FUEL	440 l
ADBLUE	45 l
ELECTRICAL SYSTEM	24 V
BATTERIES	2 x 155 AH
OPTIONS	<p>Low temperature packages</p> <p>Electric fuel pump</p>



Optional: Customized paint finish

## UPPERCARRIAGE

DESIGN	Torsion-resistant box design, precision crafted, steel bushings for boom mountings. Service-friendly design, engine installed in the longitudinal direction
ELECTRIC	Central electrical distributor, battery disconnect switch
LIGHTING	LED headlights for optimal lighting of the work area
COOLING SYSTEM	3-circuit cooling system with high cooling output, electrically regulated fan drive for cooling water, charged air and oil
SAFETY	<p>Camera monitoring of the area to the rear and the right side</p> <p>Folding uppercarriage railings</p>
OPTIONS	<p>Additional LED headlights</p> <p>LED flashing lights</p> <p>2 warning beacons at the rear</p> <p>Additional cameras</p> <p>Sea climate resistant coating as corrosion protection</p> <p>Customized paint finish</p> <p>Low temperature package</p> <p>Automatic central lubrication for boom attachment point, luffing cylinder and live ring track</p> <p>Pinion tooth lubrication</p>



Optional: additional LED headlights

# TECHNICAL DATA, EQUIPMENT

## HYDRAULIC SYSTEM / HYDRAULICS

Pump unit attached directly to diesel engine. Load-sensing/ LUDV hydraulic system, electro-hydraulic work functions, load limit control, axial piston variable displacement pump. Multiple work functions can be controlled precisely simultaneously and independently from each other thanks to the independent, proportional allocation of the pump flows.

FLOW RATE	Up to 375 l / min
OPERATING PRESSURE	Up to 330 bar
FILTRATION	High-performance filtration with long change interval
HYDRAULIC TANK	765 l
CONTROL SYSTEM	Proportional, precision hydraulic control of the movements, 2 servo joysticks for work functions, additional functions via switches and foot pedals – arranged clearly and ergonomically
SAFETY	<p>Hydraulic circuits with safety valves</p> <p>Pipe-fracture safety valves for luffing cylinder and telescopic cylinder</p>
OPTIONS	<p>Bio-oil filling</p> <p>SENNEBOGEN HydroClean micro-filter system (3 µm) with water separator</p> <p>Hydraulic tank preheating</p>

## SLEWING DRIVE

GEARS	Compact planetary gear with bent-axis hydraulic engine, integrated brake valves
SLEW BRAKE	Spring-loaded multi-disk brake
SLEWING RING	Large-scale, externally geared 1-row slewing ring
SLEWING SPEED	0-2 rpm, variable

## CAB

**MAX CAB**

CAB TYPE	Maxcab, tilttable 20°
CAB FEATURES	<p>Comfortable operator cab with sliding door incl. sliding window, vibration damper, tinted safety glass, opening windshield, skylight, front and rear windshield wipers, 12 V / 24 V connections, 2 headlights integrated into the front of the roof.</p> <p>Air-sprung comfort operator's seat with seat heating and headrest. Sunblind for skylight. Slew brake via foot pedal.</p>
OPTIONS	<p>Hydraulically elevating cab type E270, can elevate up to 2.70 m and tilt by 30°</p> <p>Auxiliary heating system with timer</p> <p>Activated-carbon filter for cab</p> <p>Protective roof grating</p> <p>FOPS protective roof grating</p> <p>Glazing of roof and windshield in bulletproof glass design</p> <p>Radio with USB and SD connections, MP3 and Bluetooth® functions</p>



Optional: protective roof grating



# TECHNICAL DATA, EQUIPMENT

TECHNICAL DATA, EQUIPMENT



Option: folding platforms on both sides of the uppercarriage



Optional: radio remote control



Optional: heavy-duty jib



Optional: auxiliary jib

## EQUIPMENT

**BOOM** 4-section with pulley head, hydraulically telescopic end-to-end from 11 to 36 m, luffing from 0° to 80° in approx. 50 seconds; complete telescopic extension in 140 seconds

**CRANE SAFETY** Latest generation of load moment monitoring with event recorder, clear operations panel showing all important data via the SENCON display, lifting limit switch, cable exit protection, pressure relief valves and pipe fracture protection

SENtrack telemetry system

**CYLINDERS** Hydraulic cylinders with high-quality sealing and guide elements

**OPTIONS** 8 m folding fly jib, tiltable (0°, 20°, 40°), can be set up without additional equipment, can be bolted to basic boom when not in use

Fly jib extension to 15 m (7 m extension), load capacity 5 t, tiltable (0°, 20°, 40°), can be bolted to basic boom when not in use

Auxiliary jib: 5 t load capacity, 1-strand

25 t heavy-duty jib

Customized paint finish

Electro-hydraulic emergency unit

Radio remote control

Programmable working limit

Additional load charts accepted for 2°/4° incline position



Optional: work area limitation

# TECHNICAL DATA, EQUIPMENT

TECHNICAL DATA, EQUIPMENT

## UNDERCARRIAGE

**DESIGN** T73/410 crawler undercarriage, hydraulically telescopic and with integrated, protected drive transmission

**DRIVE** Strong travel drive with 2-stage variable-displacement hydraulic engine and directly attached automatically functioning brake valve and compact planetary gear on each running gear side

**SLEW BRAKE** Spring-loaded multi-disk brake

**CRAWLER CARRIER** Maintenance-free tractor chassis with hydraulic chain tension, 700 mm triple grouser shoes

**SPEED** 0 - 2.7 km/h

**OPTIONS** Track shoes equipment options:  
800 mm triple grouser shoes  
900 mm triple grouser shoes  
700 mm flat track shoes  
800 mm flat track shoes

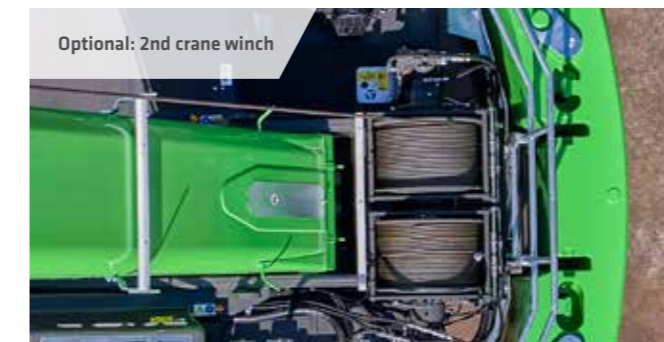
## WINCH

Winches are driven by constant motors, ensuring optimum traction and speed control at all times. Hydraulic lowering brake valves for sensitive, wear-free braking. Strong oil bath planetary gears, low-maintenance. Holding brakes are spring-loaded, maintenance-free, low-wear disc brakes running in the oil bath, oil-cooled

50 kN tensile force (4th position), cable speed 0 - 115 m/min., cable diameter 16 mm, max. cable length 205 m

**SAFETY BRAKE** Spring-loaded multi-disk brake

**OPTIONS** 2nd winch: 50 kN tensile force (4th position), cable speed 0 - 115 m/min., cable diameter 16 mm, max. cable length 205 m



Optional: 2nd crane winch

## OPERATING WEIGHT

**MASS** **appr. 71,500 kg** with 36 m telescopic boom, 8 m fly jib, 35 t hook, 700 mm triple grouser shoes, 2 hoist winches, with hydraulic telescopic undercarriage, ballast 17.8 t, undercarriage ballast 8 t

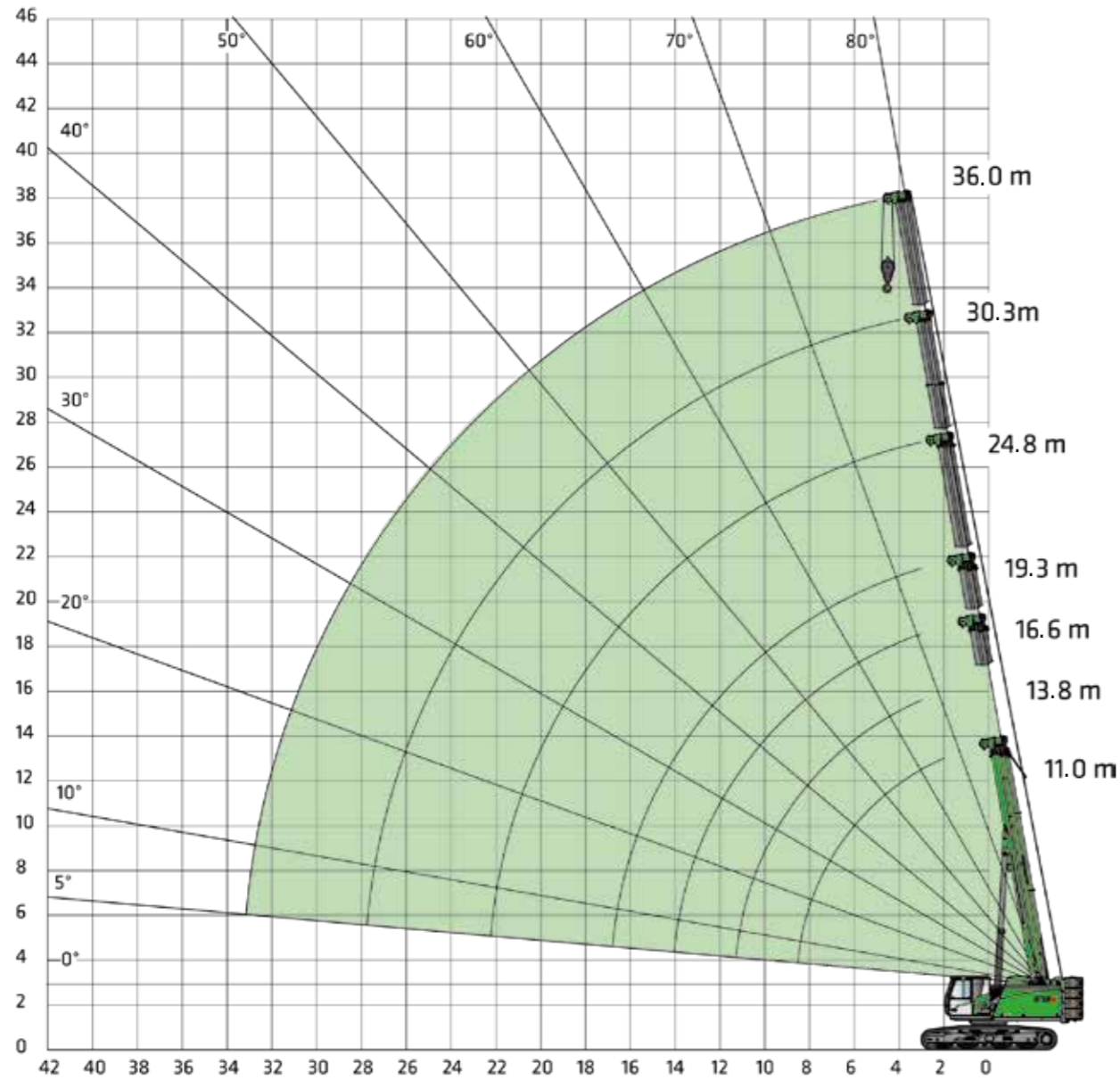
**NOTE** Operating weight varies by model and equipment.

Subject to technical changes!



# CRANE EQUIPMENT

 MAIN BOOM  
HA 36 m



 HOOK

CAPACITY [t]	WEIGHT [kg]	CABLE REEVING AND MAX. LOAD CAPACITY														
		12	11	10	9	8	7	6	5	4	3	2	1			
5 t	80 kg													5,000 kg		
15 t (1-roll)	190 kg													15,000 kg	10,000 kg	5,000 kg
35 t (3-roll)	260 kg							35,000 kg	30,000 kg	25,000 kg	20,000 kg	15,000 kg	10,000 kg	5,000 kg		
60 t (6-roll)	850 kg	60,000 kg	55,000 kg	50,000 kg	45,000 kg	40,000 kg	35,000 kg	30,000 kg	25,000 kg	20,000 kg	15,000 kg	10,000 kg	5,000 kg			

# CRANE EQUIPMENT

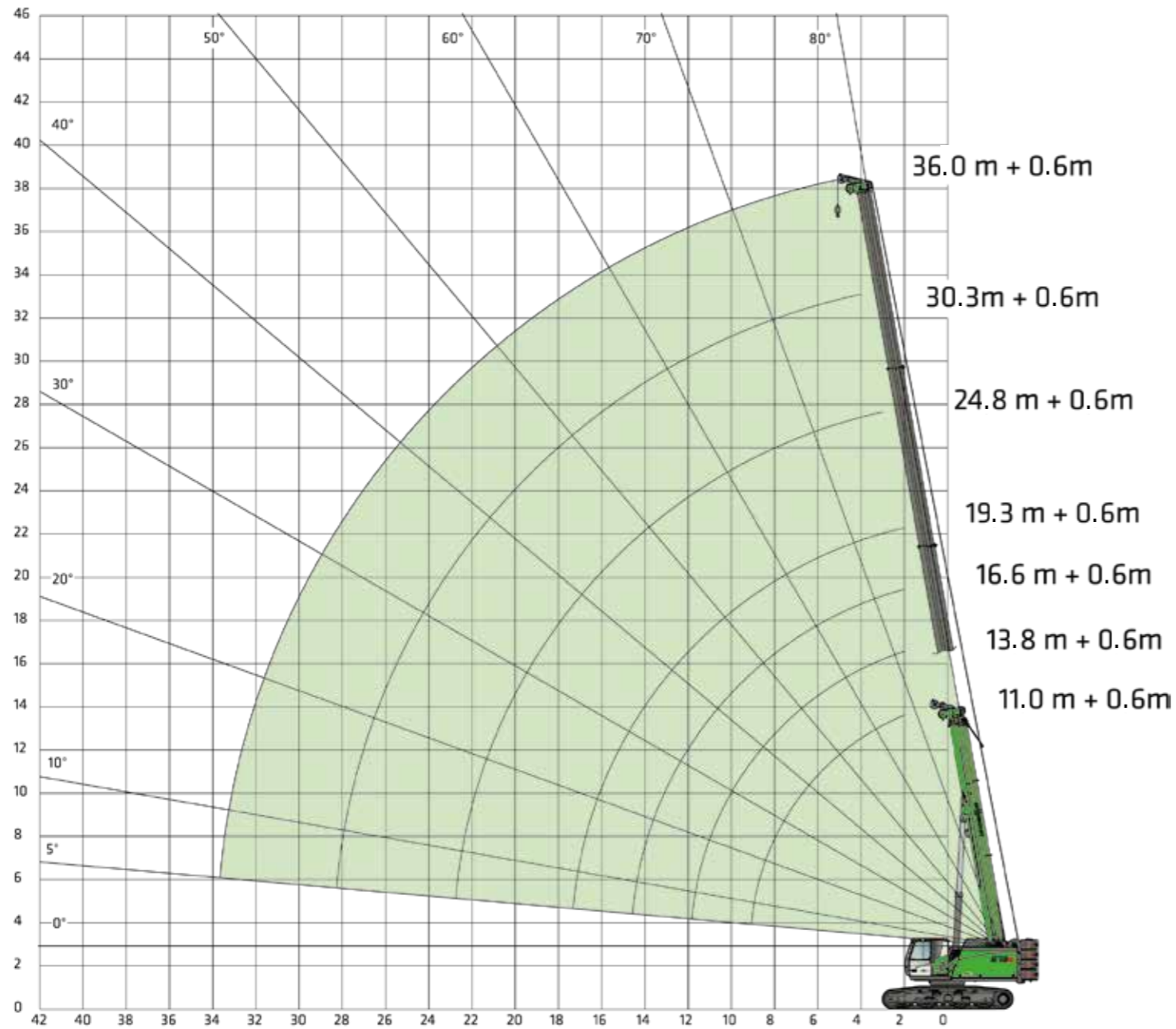
 MAIN BOOM  
HA 36 m

 UNDERCARRIAGE BALLAST  
8.0 t

EN 

RADIUS [m]	BOOM LENGTH [m]																				
	11.0			13.8			16.6			19.3			24.8			30.3			36.0		
Ballast [t]																					
Track width [m]																					
2.0	70.0	50.0																			
2.5	69.5	50.0																			
3.0	67.2	50.0	61.0		50.0	44.0		44.0	37.8		37.8	22.5		22.5							
4.0	56.0	50.0	53.6		50.0	37.7		37.7	32.6		32.6	22.5		22.5	21.0		21.0				
5.0	44.9	41.2	42.0	44.5	37.0	39.0	32.9	32.9	32.9	28.5	28.5	28.5	22.5	22.5	22.5	20.1	20.1	20.1	14.5	14.5	14.5
6.0	37.3	31.0	31.0	36.9	30.0	30.5	29.1	28.0	29.1	25.1	25.1	25.1	22.1	22.1	22.1	18.4	18.4	18.4	14.5	14.5	14.5
7.0	31.4	24.5	24.0	30.8	24.0	23.6	26.1	23.5	23.3	22.5	22.5	22.4	19.8	19.8	19.8	16.9	16.9	16.9	14.2	14.2	14.2
8.0	25.5	20.0	19.3	25.0	19.5	19.0	23.6	19.6	18.7	20.3	19.1	18.5	17.9	17.9	17.9	15.4	15.4	15.4	13.4	13.4	13.4
9.0				20.8	16.5	15.7	20.5	16.4	15.4	18.4	16.2	15.2	16.4	15.8	15.6	14.1	14.1	14.1	12.6	12.6	12.6
10.0				17.6	14.0	13.2	17.4	13.9	13.0	16.8	13.8	12.8	15.0	14.0	13.4	12.9	12.9	12.9	11.8	11.8	11.8
12.0				15.2 / 11.0m	12.0 / 11.0m	11.3 / 11.0m	13.1	10.5	9.5	13.0	10.3	9.4	12.8	10.9	10.0	11.0	11.0	10.3	10.2	10.2	10.2
14.0							11.5 / 13.0m	9.0 / 13.0m	8.3 / 13.0m	10.2	8.0	7.1	10.7	8.3	7.7	9.5	8.6	8.0	8.7	8.5	8.2
16.0										8.1	6.1	5.4	8.6	6.6	6.0	8.3	6.9	6.4	7.5	7.1	6.6
18.0													7.1	5.3	4.8	7.3	5.6	5.2	6.5	5.8	5.4
20.0													5.9	4.2	3.8	6.2	4.6	4.2	5.8	4.8	4.4
22.0													5.3 / 21.0m	3.8 / 21.0m	3.3 / 21.0m	5.2	3.7	3.4	5.2	4.0	3.6
24.0																4.4	3.0	2.7	4.7	3.4	2.9
26.0																3.7	2.5	2.0	4.0	2.8	2.4
28.0																			3.4	2.3	1.9
30.0																			2.8	1.8	1.5
32.0																			2.4	1.4	1.0
Number of falls	14	9	10	13	8	10	9	7	9	8	6	8	5	5	5	5	5	5	3	3	3
I		0%		33%			66%			100%			100%			100%			100%		
II		0%		0%			0%			0%			33%			66%			100%		
III		0%		0%			0%			0%			33%			66%			100%		
The load ratings must be reduced if there's a 15 m fly jib folded to the side of the main boom.																					
Load capacity reduction [kg]	770			610			510			430			340			280			240		

# CRANE EQUIPMENT



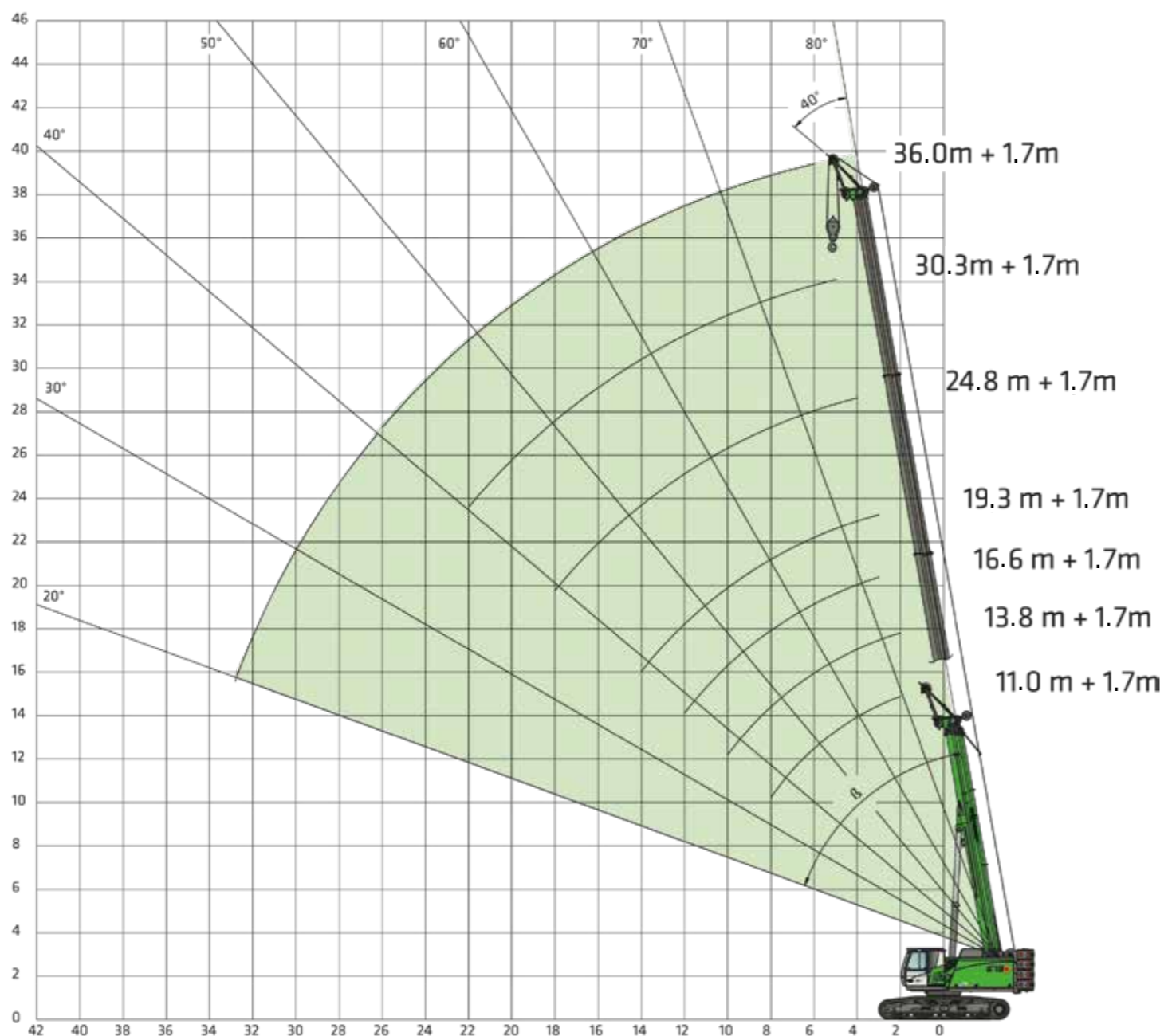
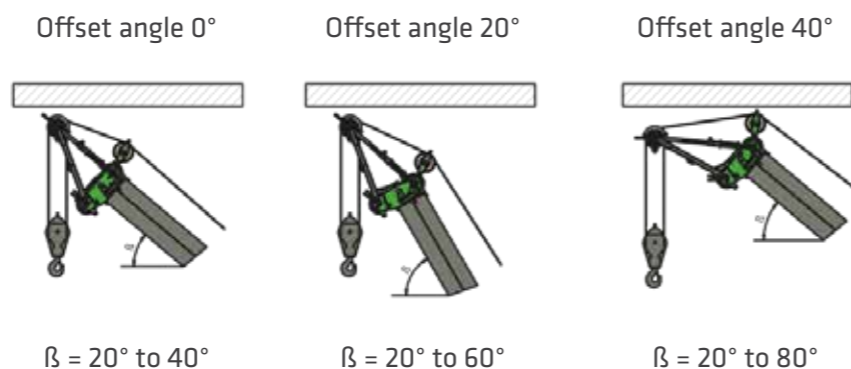
# CRANE EQUIPMENT



RADIUS [m]	BOOM LENGTH [m]																							
	11.0			13.8			16.6			19.3			24.8			30.3			36.0					
Ballast [t]	17.8			17.8			17.8			17.8			17.8			17.8			17.8			17.8		
Track width [m]	4.1			3.2			4.1			4.1			4.1			4.1			4.1			4.1		
2.0	5.0			5.0			5.0			5.0			5.0			5.0			5.0			5.0		
2.5	5.0			5.0			5.0			5.0			5.0			5.0			5.0			5.0		
3.0	5.0			5.0			5.0			5.0			5.0			5.0			5.0			5.0		
4.0	5.0			5.0			5.0			5.0			5.0			5.0			5.0			5.0		
5.0	5.0	5.0	5.0	5.0	5.0	5.0	5.0	5.0	5.0	5.0	5.0	5.0	5.0	5.0	5.0	5.0	5.0	5.0	5.0	5.0	5.0	5.0	5.0	5.0
6.0	5.0	5.0	5.0	5.0	5.0	5.0	5.0	5.0	5.0	5.0	5.0	5.0	5.0	5.0	5.0	5.0	5.0	5.0	5.0	5.0	5.0	5.0	5.0	5.0
7.0	5.0	5.0	5.0	5.0	5.0	5.0	5.0	5.0	5.0	5.0	5.0	5.0	5.0	5.0	5.0	5.0	5.0	5.0	5.0	5.0	5.0	5.0	5.0	5.0
8.0	5.0	5.0	5.0	5.0	5.0	5.0	5.0	5.0	5.0	5.0	5.0	5.0	5.0	5.0	5.0	5.0	5.0	5.0	5.0	5.0	5.0	5.0	5.0	5.0
9.0				5.0	5.0	5.0	5.0	5.0	5.0	5.0	5.0	5.0	5.0	5.0	5.0	5.0	5.0	5.0	5.0	5.0	5.0	5.0	5.0	5.0
10.0				5.0	5.0	5.0	5.0	5.0	5.0	5.0	5.0	5.0	5.0	5.0	5.0	5.0	5.0	5.0	5.0	5.0	5.0	5.0	5.0	5.0
12.0				5.0 / 11.0 m	5.0 / 11.0 m	5.0 / 11.0 m	5.0	5.0	5.0	5.0	5.0	5.0	5.0	5.0	5.0	5.0	5.0	5.0	5.0	5.0	5.0	5.0	5.0	5.0
14.0							5.0 / 13.0 m	5.0 / 13.0 m	5.0 / 13.0 m	5.0	5.0	5.0	5.0	5.0	5.0	5.0	5.0	5.0	5.0	5.0	5.0	5.0	5.0	5.0
16.0										5.0	5.0	5.0	5.0	5.0	5.0	5.0	5.0	5.0	5.0	5.0	5.0	5.0	5.0	5.0
18.0													5.0	5.0	4.7	5.0	5.0	4.9	5.0	5.0	5.0	5.0	5.0	5.0
20.0													5.0	4.1	3.7	5.0	4.5	4.1	5.0	4.9	4.3	5.0	4.9	4.3
22.0													4.6 / 21.0 m	3.7 / 21.0 m	3.2 / 21.0 m	5.0	3.6	3.3	4.8	3.9	3.5	4.8	3.9	3.5
24.0																4.3	2.9	2.6	4.4	3.3	2.8	4.4	3.3	2.8
26.0																3.6	2.4	1.9	3.9	2.7	2.3	3.9	2.7	2.3
28.0																			3.3	2.2	1.8	3.3	2.2	1.8
30.0																			2.7	1.7	1.4	2.7	1.7	1.4
32.0																			2.3	1.3	0.9	2.3	1.3	0.9
Number of falls	1	1	1	1	1	1	1	1	1	1	1	1	1	1	1	1	1	1	1	1	1	1	1	1
I	0%			33%			66%			100%			100%			100%			100%			100%		
II	0%			0%			0%			0%			33%			66%			100%			100%		
III	0%			0%			0%			0%			33%			66%			100%			100%		
The load ratings must be reduced if there's a 15 m fly jib folded to the side of the main boom.																								
Load capacity reduction [kg]	770			610			510			430			340			280			240			240		

# CRANE EQUIPMENT

 **MAIN BOOM**  
36 m + SLS




# CRANE EQUIPMENT

 **MAIN BOOM**  
36 m + SLS

 **BALLAST**  
17.8 t

 **UNDERCARRIAGE BALLAST**  
8.0 T

**EN** 

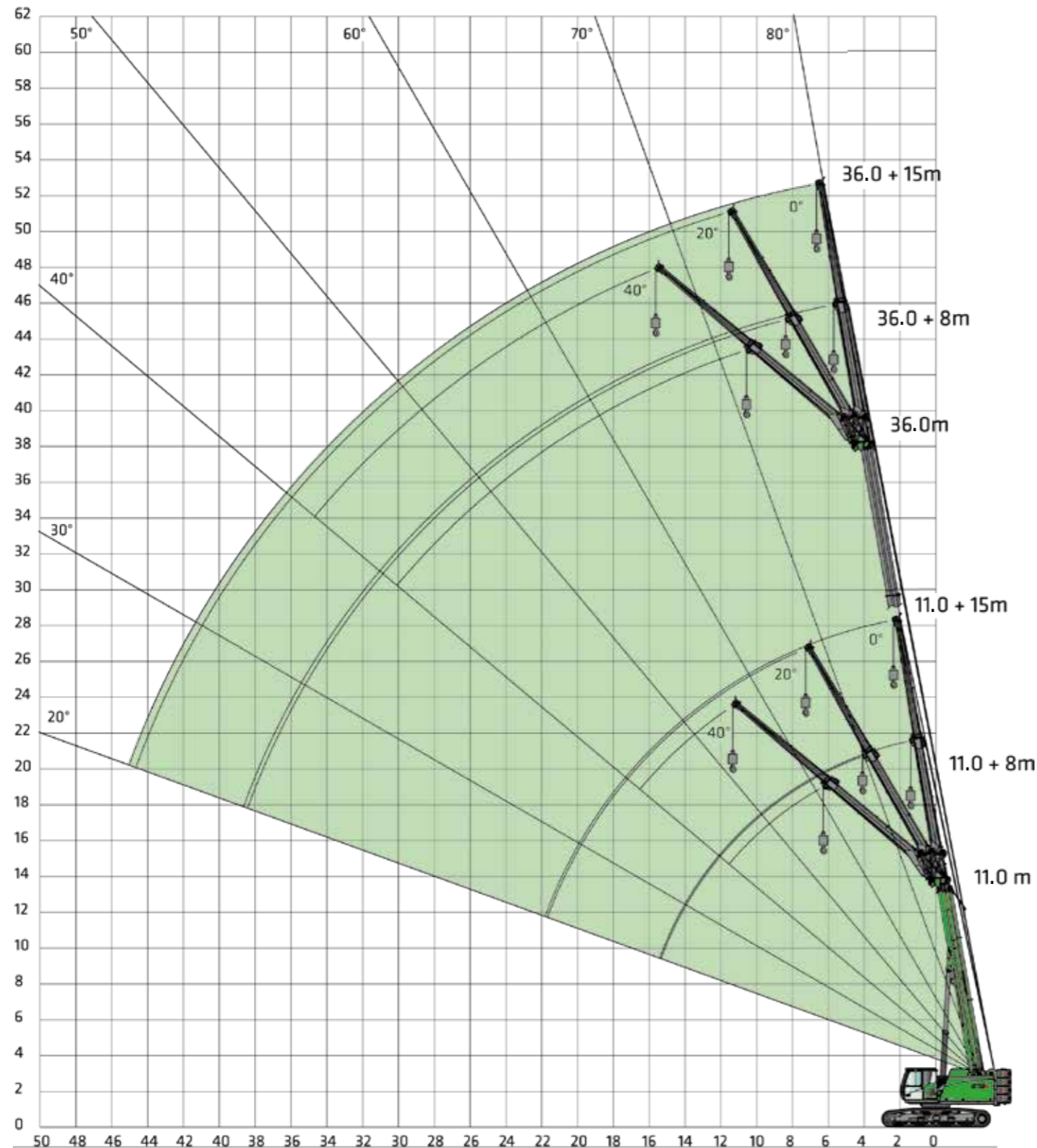
 **TRACK WIDTH**  
4.1 m

RADIUS [m]	BOOM LENGTH [m]																					
	11			13.8			16.6			19.3			24.8			30.3			36			
	0°	20°	40°	0°	20°	40°	0°	20°	40°	0°	20°	40°	0°	20°	40°	0°	20°	40°	0°	20°	40°	
2.0			25.0			25.0																
3.0			25.0			25.0			25.0			25.0										
4.0		25.0	24.2			24.8			25.0			25.0			22.5							
5.0		25.0	23.8			22.9			24.2			25.0			22.5			17.0				
6.0		25.0	22.3			21.7			22.1			23.7			21.1			16.6			12.0	
7.0	21.4	21.4	21.4			21.4	19.8		21.4	19.8		21.6			19.3			16.1			12.0	
8.0	18.7	18.7	18.7			18.7	17.5		18.7	17.1		19.6	19.6		17.5			15.0			12.0	
9.0	16.6	16.6		16.6	16.6	15.2			16.7	15.5		17.7	17.8		15.9			13.8			12.0	
10.0				15.0	15.0	12.3			15.5	13.8		16.1	16.2		14.4			12.7			11.6	
11.0				13.5	13.5		14.3	14.5	12.7			14.8	14.5		13.2	13.2		11.6			10.9	
12.0				12.0			12.6	12.7	11.6			12.5	12.7		12.1	12.3		10.6			10.1	
13.0							11.1	11.2				11.1	11.2		11.2	11.6		9.7			9.4	
14.0							9.9	10.0		9.7	9.8	9.9		10.2	10.5		9.1	9.0			8.7	
15.0							8.9			8.6	8.8			9.2	9.3		8.5	8.3			8.0	
16.0										7.8	7.9			8.3	8.3		7.9	7.8			7.4	
17.0										7.0	7.1		7.4	7.5	7.6		7.5	7.4			6.8	
18.0										6.4			6.7	6.8	6.9		7.0	7.1		6.1	6.4	
19.0													6.1	6.2			6.4	6.5		5.7	6.0	
20.0													5.6	5.7			5.9	6.0		5.3	5.7	
21.0													5.1	5.2		5.3	5.4	5.5		5.0	5.4	
22.0													4.7			4.9	5.0	5.0		4.8	5.2	
23.0																4.5	4.6			4.7	4.8	
24.0																4.1	4.2			4.4	4.5	
25.0																3.8	3.9			4.0	4.1	
26.0																3.5	3.5		3.7	3.7	3.8	
27.0																3.2			3.4	3.4		
28.0																2.9			3.1	3.2		
29.0																			2.8	2.9		
30.0																			2.6	2.7		
32.0																			2.2	2.2		
34.0																			1.8			
Number of falls	5	5	5	4	5	5	3	5	5	2	4	5	2	3	5	2	2	4	1	2	3	
I		0%			33%			66%			100%			100%			100%			100%		
II		0%			0%			0%			0%			33%			66%			100%		
III		0%			0%			0%			0%			33%			66%			100%		

Tab. no.: 673R-75/2068/17.4+8.0/05.13 SLS 0.3\*

# CRANE EQUIPMENT

 FLY JIB  
SA 8 m / SA 15 m




# CRANE EQUIPMENT

 FLY JIB  
SA 8 m

 BALLAST  
17.8 t

 UNDERCARRIAGE BALLAST  
8.0 T


 EN  360°

 TRACK WIDTH  
4.1 m

RADIUS [m]	BOOM LENGTH [m]														
	11.0			19.3			24.8			30.3			36.0		
	0°	20°	40°	0°	20°	40°	0°	20°	40°	0°	20°	40°	0°	20°	40°
2.0	10.0														
3.0	10.0														
4.0	9.7	7.7		10.0											
5.0	9.2	6.9		9.6			10.0								
6.0	9.0	6.7		9.0	5.9		9.4			8.1					
7.0	7.7	6.2	4.1	8.5	5.6		8.5	5.8		8.0			6.4		
8.0	7.2	5.9	3.9	7.9	5.3		8.2	5.5		7.9	5.6		6.4		
9.0	6.7	5.2	3.7	7.3	5.0	3.8	7.8	5.2		7.8	5.4		6.4		
10.0	6.5	5.0	3.6	6.8	4.8	3.7	7.4	5.0	3.8	7.6	5.2	3.8	6.3	5.1	
11.0	5.5	4.7	3.5	6.5	4.4	3.5	6.7	4.6	3.6	7.2	4.8	3.6	6.1	4.8	3.7
12.0	5.2	4.6	3.3	5.5	4.2	3.4	6.4	4.4	3.5	6.9	4.7	3.6	6.0	4.6	3.6
13.0	4.9	4.5	3.2	5.2	4.0	3.3	6.0	4.2	3.4	6.7	4.5	3.5	5.8	4.5	3.5
14.0	4.7	4.4	3.1	4.9	3.8	3.2	5.7	4.1	3.4	6.4	4.3	3.4	5.6	4.4	3.4
15.0		4.3		4.6	3.7	3.2	5.3	4.0	3.3	6.1	4.2	3.4	5.4	4.2	3.3
16.0		3.2		4.4	3.5	3.1	5.1	3.9	3.2	5.9	4.1	3.3	5.2	4.2	3.3
17.0				4.2	3.4	3.1	4.9	3.8	3.2	5.6	4.0	3.3	5.0	4.1	3.3
18.0				4.0	3.3	3.1	4.6	3.7	3.1	5.3	3.9	3.3	4.8	4.0	3.2
19.0				3.9	3.2	3.0	4.4	3.6	3.1	5.1	3.8	3.2	4.6	3.9	3.2
20.0				3.7	3.1		4.2	3.5	3.1	4.9	3.7	3.1	4.3	3.8	3.2
21.0				3.6	3.1		4.1	3.4	3.0	4.7	3.6	3.1	4.2	3.7	3.2
22.0				3.4	3.1		3.9	3.3	3.0	4.4	3.5	3.1	3.9	3.6	3.1
23.0				3.2	3.0		3.8	3.2	2.9	4.3	3.5	3.0	3.7	3.5	3.1
24.0							3.7	3.1		4.1	3.4	3.0	3.5	3.3	3.1
25.0							3.6	3.1		3.7	3.3	3.0	3.3	3.2	3.1
26.0							3.3	3.1		3.4	3.3	2.9	3.1	3.0	3.1
27.0							3.0	3.0		3.1	3.2	2.8	3.0	2.7	3.0
28.0							2.7			2.7	3.1		2.9	2.6	2.9
29.0							2.4			2.5	2.8		2.5	2.4	2.8
30.0										2.2	2.3		2.2	2.2	2.4
32.0										1.9	2.0		1.9	2.0	
34.0													1.5	1.6	
36.0													1.2	1.3	
38.0													0.9		
Number of falls	2	2	1	2	2	1	2	2	1	2	2	1	2	2	1
I		0%			100%			100%			100%			100%	
II		0%			0%			33%			66%			100%	
III		0%			0%			33%			66%			100%	

# CRANE EQUIPMENT

 FLY JIB SA 15 m
  BALLAST 17.8 t
  UNDERCARRIAGE BALLAST 8.0 T

 EN
  360°
  TRACK WIDTH 4.1 m

RADIUS [m]	BOOM LENGTH [m]														
	11.0			19.3			24.8			30.3			36.0		
	0°	20°	40°	0°	20°	40°	0°	20°	40°	0°	20°	40°	0°	20°	40°
2.0	5.0														
3.0	5.0														
4.0	5.0														
5.0	4.8			4.6											
6.0	4.5			4.5			4.3								
7.0	4.3	3.6		4.3			4.3			3.9					
8.0	4.1	3.4		4.2			4.2			3.9			3.4		
9.0	4.0	3.2		4.0			4.1			3.8			3.4		
10.0	3.6	3.0		3.8	2.9		4.0	2.9		3.7			3.4		
11.0	3.4	2.9	2.3	3.7	2.8		3.9	2.8		3.7			3.3		
12.0	3.3	2.8	2.2	3.5	2.7		3.7	2.8		3.6	2.8		3.3	2.7	
13.0	3.1	2.8	2.1	3.4	2.6		3.6	2.7		3.5	2.7		3.3	2.7	
14.0	3.0	2.8	2.0	3.2	2.5	2.0	3.5	2.6	2.1	3.4	2.6		3.2	2.6	
15.0	2.9	2.6	1.9	3.0	2.4	1.9	3.3	2.5	2.0	3.4	2.5		3.1	2.6	
16.0	2.8	2.5	1.9	2.9	2.3	1.9	3.2	2.4	2.0	3.3	2.4	2.0	3.1	2.5	2.0
17.0	2.7	2.4	1.8	2.8	2.3	1.9	3.0	2.3	1.9	3.2	2.4	2.0	3.0	2.5	2.0
18.0	2.6	2.3	1.8	2.6	2.1	1.9	2.9	2.3	1.9	3.1	2.3	1.9	3.0	2.4	1.9
19.0	2.6	2.2	1.8	2.5	2.1	1.9	2.8	2.2	1.9	3.0	2.2	1.9	2.9	2.4	1.9
20.0	2.5	2.2	1.8	2.4	2.0	1.8	2.7	2.1	1.8	2.9	2.2	1.9	2.8	2.3	1.9
21.0	2.4	2.1	1.8	2.3	1.9	1.8	2.6	2.1	1.8	2.8	2.1	1.9	2.8	2.2	1.9
22.0	2.3	2.1		2.2	1.9	1.7	2.5	2.0	1.8	2.7	2.1	1.9	2.7	2.2	1.9
23.0				2.1	1.8	1.6	2.4	2.0	1.8	2.6	2.0	1.8	2.6	2.1	1.8
24.0				2.0	1.8	1.6	2.3	1.9	1.7	2.5	2.0	1.8	2.6	2.1	1.8
25.0				2.0	1.8	1.6	2.2	1.9	1.7	2.5	2.0	1.8	2.5	2.0	1.8
26.0				1.9	1.7	1.6	2.2	1.8	1.7	2.4	1.9	1.7	2.5	2.0	1.8
27.0				1.8	1.7		2.2	1.8	1.7	2.3	1.9	1.7	2.4	1.9	1.8
28.0				1.8	1.7		2.1	1.8	1.7	2.2	1.9	1.7	2.4	1.9	1.8
29.0				1.7	1.7		2.1	1.8	1.7	2.2	1.9	1.7	2.3	1.9	1.8
30.0				1.7	1.7		2.0	1.8	1.7	2.1	1.8	1.7	2.3	1.8	1.7
32.0							2.0	1.7		2.0	1.8	1.7	2.2	1.8	1.7
34.0							1.9	1.7		1.9	1.8	1.7	1.9	1.7	1.7
36.0							1.7			1.6	1.7		1.6	1.7	1.6
38.0										1.3	1.5		1.3	1.6	1.6
40.0										1.0	1.2		1.0	1.3	1.0
42.0													0.8	1.0	
44.0													0.6	0.7	
Number of falls	1	1	1	1	1	1	1	1	1	1	1	1	1	1	1
I		0%			100%			100%			100%			100%	
II		0%			0%			33%			66%			100%	
III		0%			0%			33%			66%			100%	

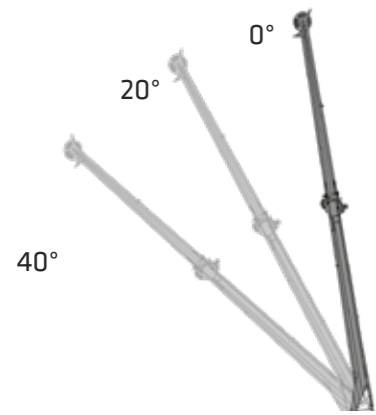
# LOAD CAPACITY SCHEDULES

		MAIN BOOM HA		AUXILIARY JIB HA-S		HEAVY-DUTY JIB SLS	
TRACK WIDTH		4.1 m	3.2 m	4.1 m	3.2 m	4.1 m	3.2 m
Ballast [t]	Undercarriage ballast [t]						
17.8 t	8.0 t	360°	360°	360°	360°	360°	360°
9.3 t	8.0 t	360°	360°	360°	360°	360°	360°
9.3 t	0 t	360°	-	360°	-	360°	-
0 t	0 t	360°	-	360°	-	-	-

		FLY JIB SA 8 m		FLY JIB SA 15 m	
TRACK WIDTH		4.1 m	3.2 m	4.1 m	3.2 m
Ballast [t]	Undercarriage ballast [t]				
17.8 t	8.0 t	360°	-	360°	-
9.3 t	8.0 t	-	-	-	-
9.3 t	0 t	-	-	-	-
0 t	0 t	-	-	-	-

Subject to technical changes. See page 28 for notes on load charts.

# OPTIONAL EQUIPMENT



### Fly jib variants

- FLY JIB 8 m**  
10 t load capacity, max. 2-strand, possible offset angle 0°/20°/40°
- FLY JIB EXTENSION TO 15 m**  
8 m with 7 m extension, 5 t load capacity, max. 1-strand offset angle 0°/20°/40°



- AUXILIARY JIB**  
5 t load capacity, 1-strand

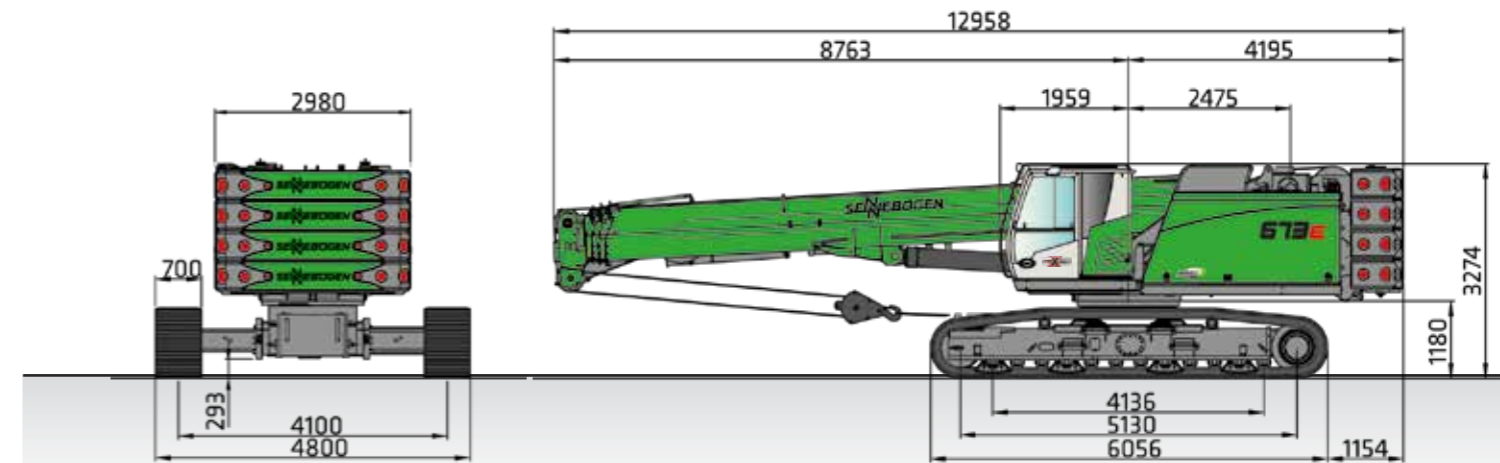


- HEAVY-DUTY JIB**  
25 t load capacity, max. 5-strand, possible offset angles 0°/20°/40°

**Notes:**

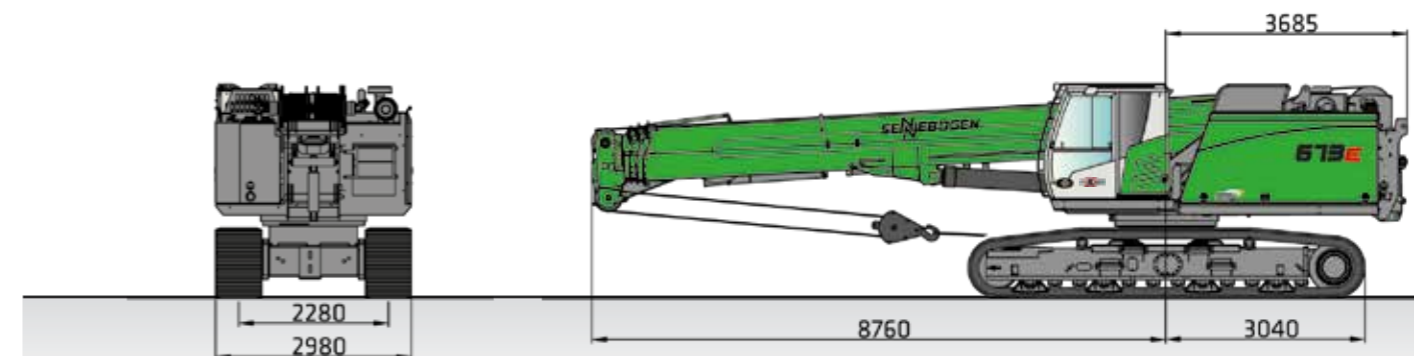
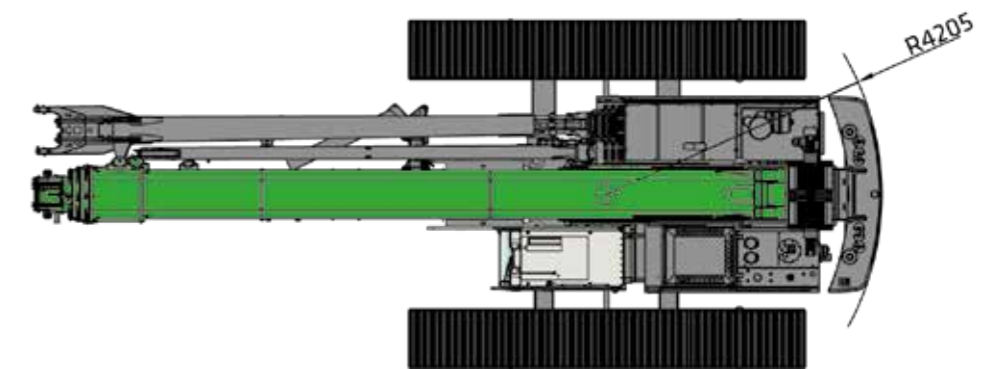
- The specified load ratings given apply when the machine is on firm and level ( $\pm 0.3^\circ$ ) ground.
- The load ratings are given in tons and apply 360 degrees.
- The load capacities correspond to EN 13000.
- The weight of the load handling equipment (hooks, cable) should be deducted from the load ratings.
- Load capacities must be limited or reduced in adverse conditions such as soft or uneven ground, slopes, wind, side loads, swinging loads, jolts or sudden stopping of loads, personnel and operators not experienced in handling loads.
- Permissible cable pull per strand in crane mode for cable diameter 16 mm - 5,000 kg.
- The load capacities given are for reference only. Please refer to the tables in the operating instructions for the relevant applicable load ratings.
- Load ratings for tilts of 2° and 4° are also available on request.

# TRANSPORT DIMENSIONS



673 R with T73/410 undercarriage and 700 mm triple grouser shoes

**Operating weight:** approx. 71,800 kg (with 15 m fly jib, 2 hoist winches, counterweight and undercarriage ballast)



**Transport weight:** approx. 45,800 kg (without fly jib, 2 hoist winches, without undercarriage ballast, without counterweight)

**Transport weight:** approx. 53,900 kg (with 15 m fly jib, 2 hoist winches, with undercarriage ballast, without counterweight)

Dimensions in [mm]

## TRANSPORT DIMENSIONS

### UNDERCARRIAGE BALLAST



**i** Weight: 2 x 4000 kg

### STORAGE CONSOLE BALLAST



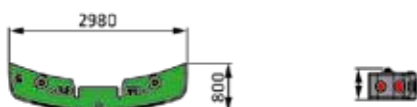
**i** Weight: 1 x 590 kg

### BALLAST BASE PLATE



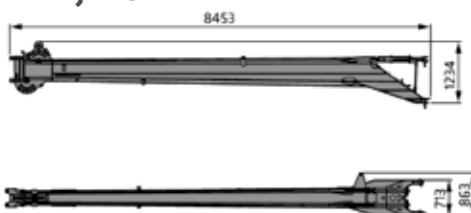
**i** Weight: 1 x 825 kg

### BALLAST PLATE



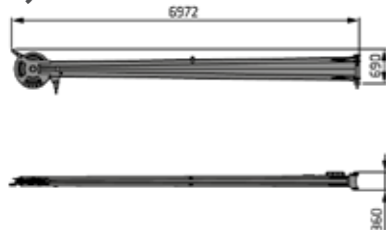
**i** Weight: 4 x 4250 kg

### FLY JIB 8 M



**i** Weight: 730 kg

### FLY JIB EXTENSION 7 M



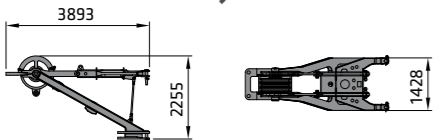
**i** Weight: 305 kg

### AUXILIARY JIB 5 T



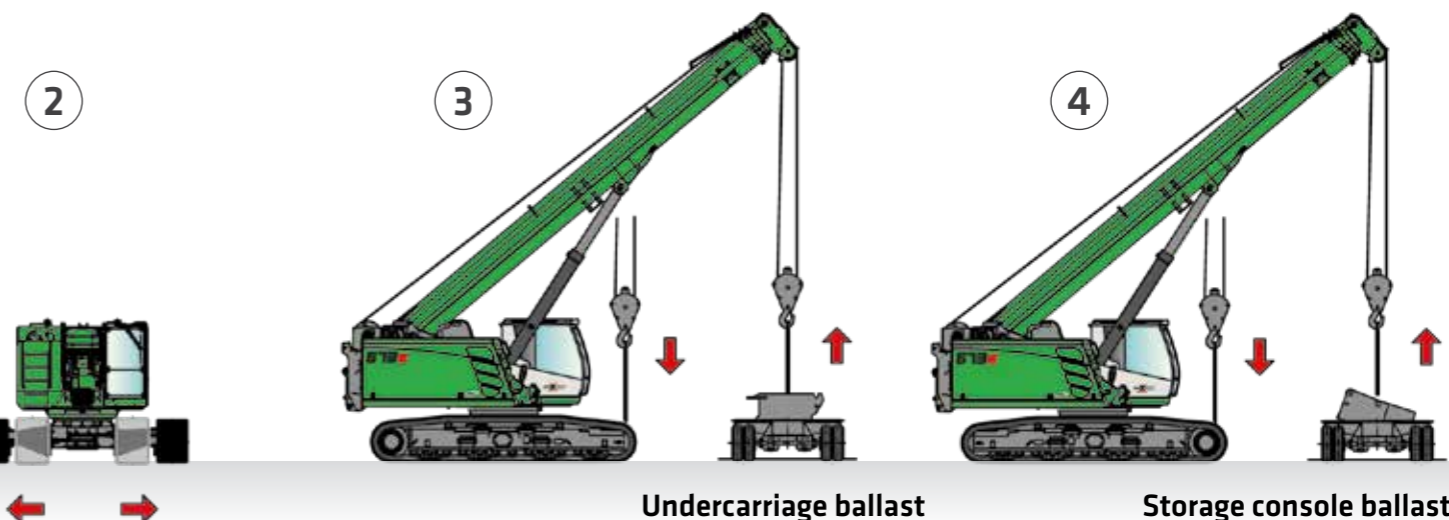
**i** Weight: 50 kg

### HEAVY-DUTY JIB 25 T



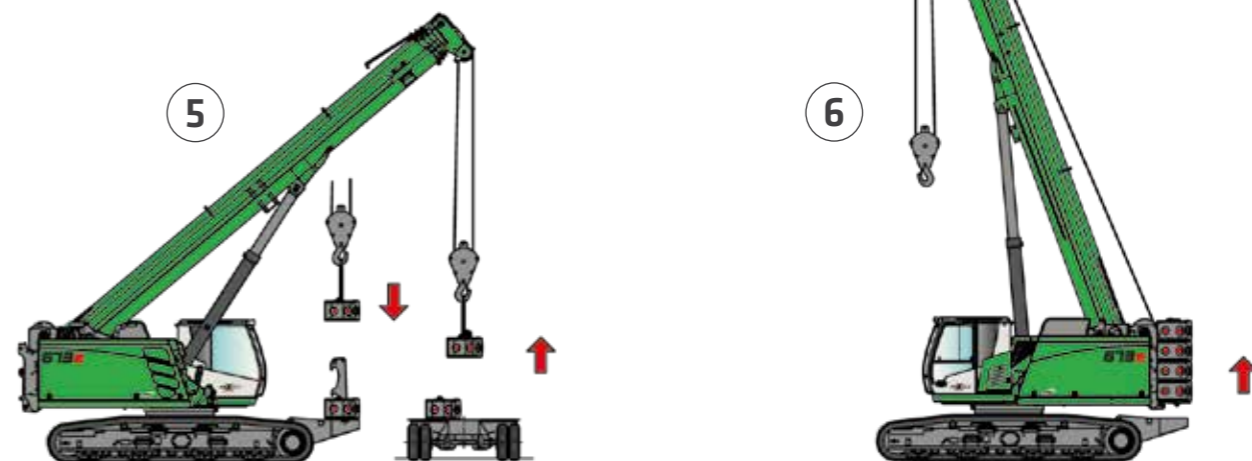
**i** Weight: 290 kg

## SELF-ASSEMBLY SYSTEM



Undercarriage ballast

Storage console ballast



Lift ballast

TRANSPORT DIMENSIONS

SELF-ASSEMBLY SYSTEM



READ MORE



www.sennebogen.com/673



Salvage; Switzerland



Sheet pile installation under power line with programmable work area limitation; Netherlands



Lifting operations as a service crane; France



**SENNEBOGEN ACADEMY**

Increase your knowledge because success is based on knowledge. In the SENNEBOGEN Academy, we place great importance on ensuring knowledge flows powerfully.

➔ [www.sennebogen-academy.com](http://www.sennebogen-academy.com)



**SERVICE AND MAINTENANCE**

Comprehensive customer service. And supply of spare parts. Service is a TOP priority for us.

➔ [www.sennebogen.com/customer-service](http://www.sennebogen.com/customer-service)



**SENtrack**

Efficient fleet management with SENtrack: Use information that would otherwise stay hidden and increase your efficiency.

➔ [www.sennebogen.com/sentrack](http://www.sennebogen.com/sentrack)



**RENTAL & USED**

Discover the unique range of rental machines available from SENNEBOGEN Rental & Used. Find your rental machine here:

➔ [www.sennebogen-rental-used.com](http://www.sennebogen-rental-used.com)



**MOVE BIG THINGS - WITH US!**

**over 70** years of experience

**100%** family company

**over 2000** experienced specialists worldwide

**4** production plants in Germany

**over 180** sales and service partners worldwide

**12** different telescopic cranes



Telehandler <b>4-5.5 t</b>	Balancer <b>130-300 t</b>	Material handler <b>17-420 t</b>	Duty cycle crane <b>13.5-300 t</b>	Crawler crane <b>50-300 t</b>	Telescopic crane <b>16-130 t</b>	Port crane <b>300 t</b>
-------------------------------	------------------------------	-------------------------------------	---------------------------------------	----------------------------------	-------------------------------------	----------------------------

**JOIN OUR OPERATORS' CLUB**

The spotlight is on you and your machine! We focus on exclusive information, sharing experiences with other SENNEBOGEN operators as well as fun and enthusiasm.

All the benefits here ➔ [www.sennebogen.com/operators-club](http://www.sennebogen.com/operators-club)



# 673E | Crawler

Order no. 179559  
673R-E-112210

This catalog describes machine models, the scope of equipment of individual models, and configuration options (standard equipment and optional equipment) of the machines delivered by SENNEBOGEN Maschinenfabrik GmbH. Machine illustrations may contain optional and supplementary equipment. Actual equipment may vary depending on the country to which the machines are delivered, especially in regard to standard and optional equipment. All product designations used may be trademarks of SENNEBOGEN Maschinenfabrik GmbH or other supplying companies, and any use by third parties for their own purposes may violate the rights of the owners.

Please contact your local SENNEBOGEN sales partner for information concerning the equipment variants offered. Requested performance characteristics are only binding if they are expressly stipulated upon conclusion of the contract. Delivery options and technical features are subject to change. All information is supplied without liability. Equipment is subject to change, and rights of advancement are reserved. © SENNEBOGEN Maschinenfabrik GmbH, Straubing, Germany. Reproduction in whole or in part only with written consent of SENNEBOGEN Maschinenfabrik GmbH, Straubing, Germany.

**SENNEBOGEN**  
**Maschinenfabrik GmbH**  
Hebbelstraße 30  
94315 Straubing, Germany

 [www.sennebogen.com](http://www.sennebogen.com)

**MOVE BIG THINGS**

## SALES SENNEBOGEN

Sales Crane Line

 +49 (0) 9421 / 540 - 146

 [cranes@sennebogen.de](mailto:cranes@sennebogen.de)

## SPARE PARTS CENTER

Spare parts orders

 [spareparts@sennebogen.de](mailto:spareparts@sennebogen.de)

## AFTER SALES

Technical support

 [service@sennebogen.de](mailto:service@sennebogen.de)

